



OLED Training

OLED PANEL DIAGNOSTIC JIG OLED's before 2025

OLED Test Pattern Jig p/n: RAD33749101

See Last Page for Applicable Models that can use this Jig

Use this Jig to help determine if a particular Video or Display issue is related to the Panel or the Main Board.

By attaching this Jig in the correct way, the OLED Panel (if provided with power) will generate Rolling Test Patterns on screen.

Note: Part number may change over time, please check GSFS for correct part number when ordering.

Published: September 19th, 2022 (Ver. 01)

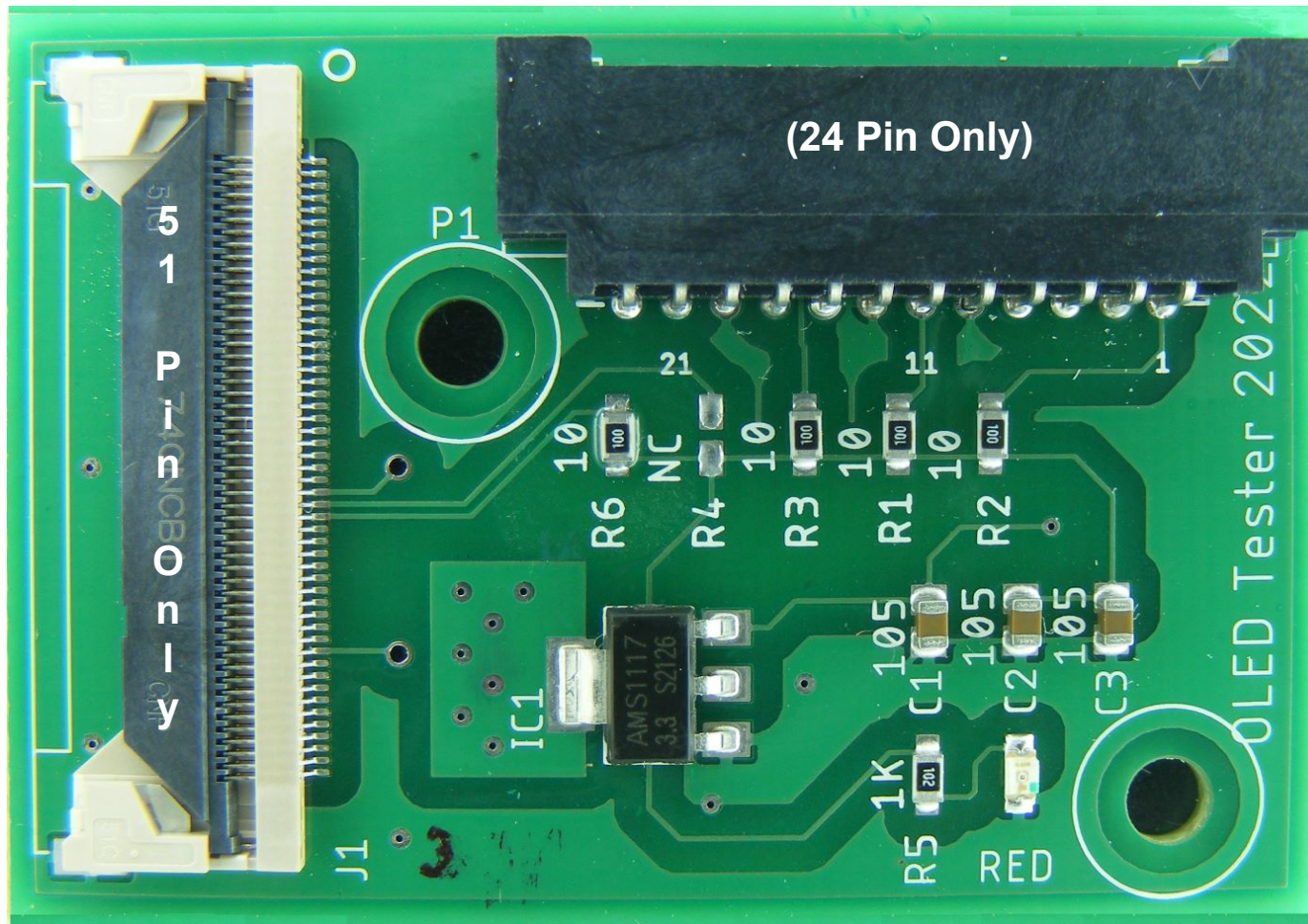


LG
Life's Good

OLED Test Pattern Jig p/n: RAD33749101 (Board Layout)

OLED Test Pattern Jig

This new Jig will assist the Technician with Panel issue diagnostics without the use of the cumbersome attachment of the Smart TV Test Jig and Multi Gender Board. Three simple cable disconnects and Two simple connections required.



IMPORTANT: The Power Supply must be producing it's normal output voltages. Both to the MAIN board and the T-CON Board.

OLED Test Pattern Jig (Hook Up Procedure)

(1): NO AC POWER APPLIED: DISCONNECT THE FOLLOWING CONNECTORS:

On the MAIN Board: Power Supply Connector and the 51pin Cable going to the T-CON.

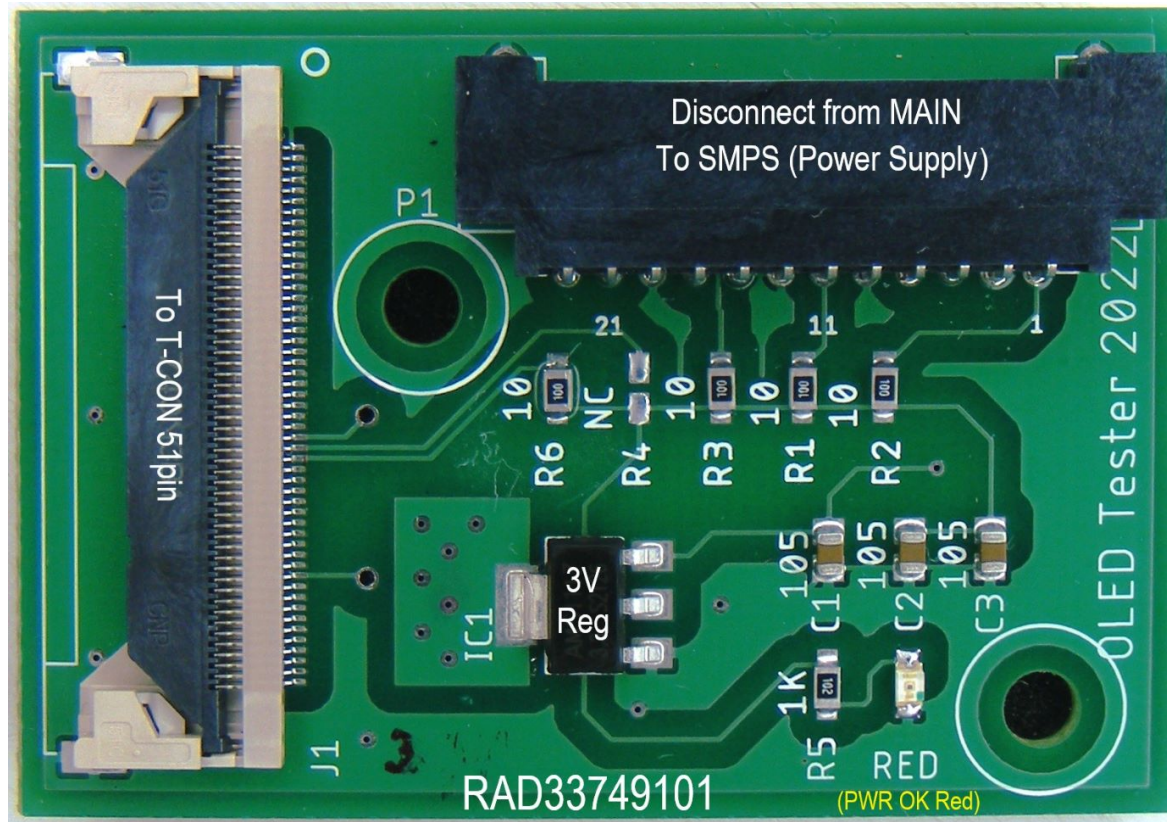
On the T-CON Board, disconnect the 41pin Connector, (Can be removed from the MAIN Board, but easier from the T-CON).

(2): JIG CONNECTIONS: P1: Insert the Power Supply connector removed from the MAIN Board into P1 on the Jig.

J1: Insert the 51pin cable from the T-CON into J1.

(3): APPLY AC POWER: to the TV and the Panel should display Patterns On Screen. (Note1: RED LED should be glowing RED).

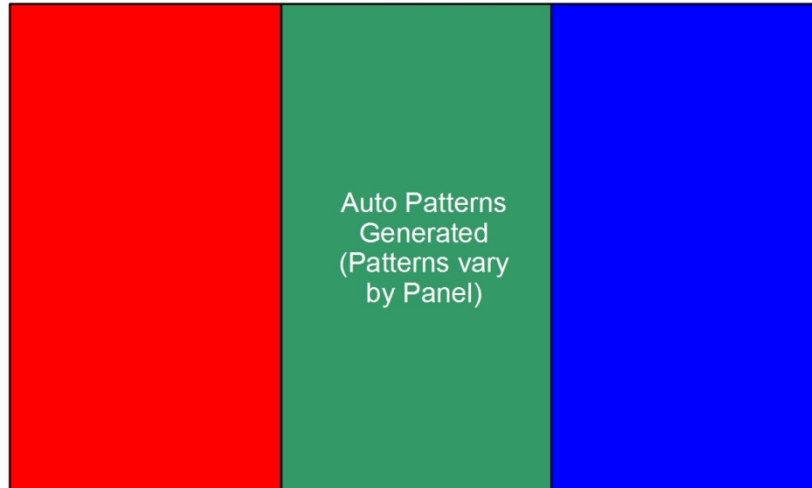
(Note2: Power Supply must be producing all voltages, Main Voltages and T-CON Voltages).



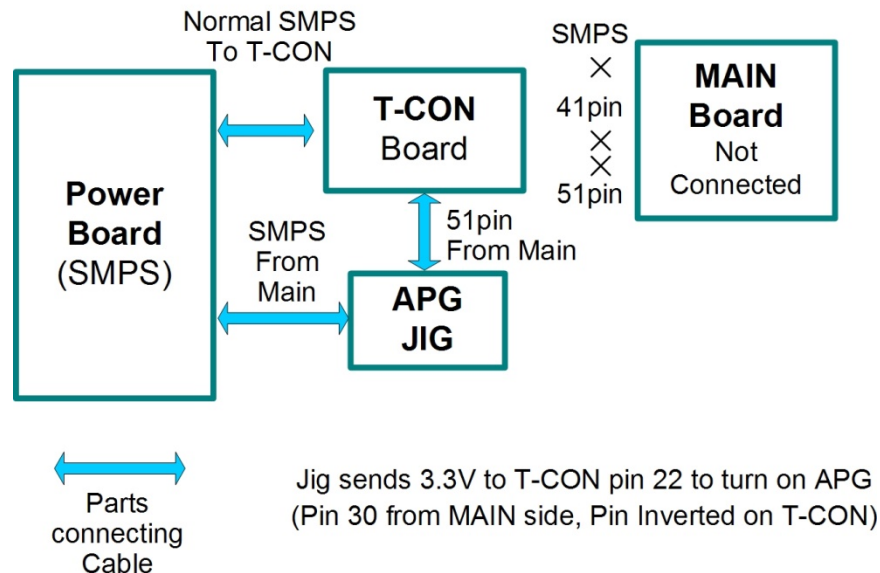
OLED Test Pattern Jig Simple Hook Up Diagram

AUTO PATTERN GENERATOR JIG

p/n: RAD33749101



OLED Models Launched before 2025



NORMAL PATTERNS SERVICE GUIDE:

Rolling Test Patterns Produced (*AGP):

If the Jig produces normal patterns on the Module, the MAIN Board should be replaced.

Note: Before replacing the MAIN Board, inspect the Vx1

Cables. Look for any damage, or peeling connectors.

Confirm the Power Supply is producing normal MAIN Board Voltages, 12VM and 20VS~24VS.

NO PATTERNS SERVICE GUIDE:

Panel Does Not Produce Rolling Test Patterns (*AGP):

If the Jig does not produce normal patterns on the Module, the MODULE (PANEL) should be replaced.

Note: Before replacing the MODULE check following:

Inspect the Cables going to the Panel. Look for any damage, or peeling connectors.

Confirm the Power Supply is producing normal T-CON Voltages, 20VD~24VD and 12VT.

Check for Red LED on Jig is illuminated. If not on, Confirm the Power Supply is producing normal MAIN Board Voltages, 12VM and 20VS~24VS. (RED LED only monitors 12VM)

Read Power Supply Label to confirm what voltages should be produced.

*APG: Auto Pattern Generator

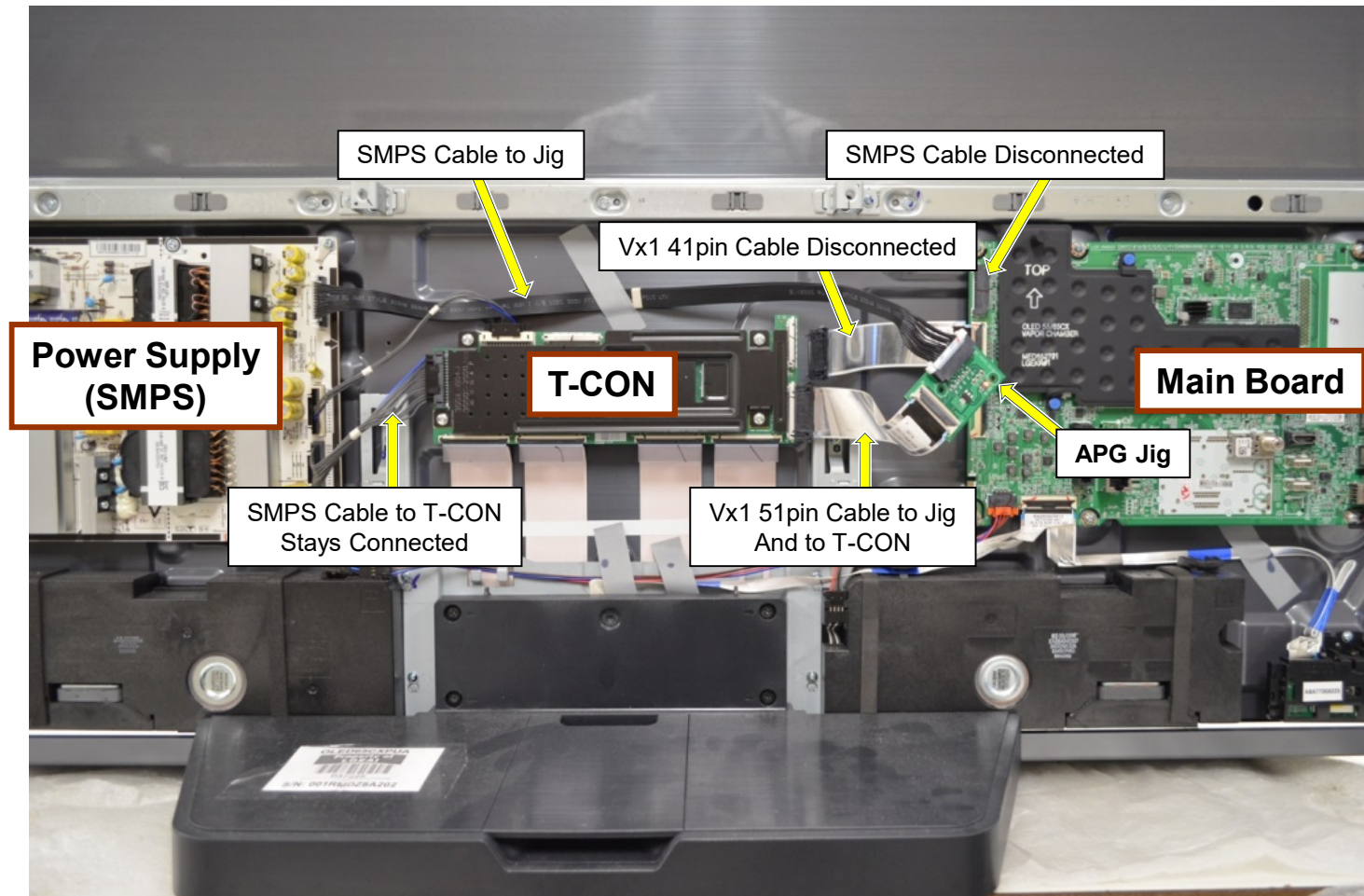
Some Patterns are Color Bar Type,

Some complete screen changes Colors starting from Full White, ending in Black.

Some are a bar that sweeps from Left to Right of different colors.

OLED Test Pattern Jig Simple Hook Up Picture

- (1): Disconnect the Following Connectors: MAIN Board: Power Supply Connector and the 51pin Cable going to the T-CON.
On the T-CON Board, disconnect the 41pin Connector.



- (2): APG Jig Connections: Insert the Power Supply connector from the MAIN Board into P1. Insert the 51pin cable from the T-CON into J1.
Apply AC Power to the TV and the Panel should product Patterns On Screen. (Note1: RED LED should be glowing RED).
(Note2: Power Supply must be producing all voltages, Main Voltages and T-CON Voltages).

OLED Test Pattern Jig Applied Models

See Table for Applied Models in which this OLED Test Pattern Generator Jig will product Test Patterns

Applied model

Series	Size	Model Name	V17	V18	V19	V20	V21	V22	V23
A	48	OLED48A*					0	0	0
	55	OLED55A*					0	0	0
	65	OLED65A*					0	0	0
	77	OLED77A*					0	0	0
B	55	OLED55B*	0	0	0	0	0	0	0
	65	OLED65B*	0	0	0	0	0	0	0
	77	OLED77B*			0	0	0	0	0
C	42	OLED42C*						0	0
	48	OLED48C*				0	0	0	0
	55	OLED55C*	0	0	0	0	0	0	0
	65	OLED65C*	0	0	0	0	0	0	0
	77	OLED77C*		0	0	0	0	0	0
E	83	OLED83C*					0	0	0
	55	OLED55E*	0	0	0				
G	65	OLED65E*	0	0	0				
	55	OLED55G*				0	0	0	0
	65	OLED65G*	0	0	0	0	0	0	0
	77	OLED77G*	0		0	0	0	0	0
	83	OLED83G*						0	0
W	97	OLED97G*						0	
	65	OLED65W*		0	0	0			
Z	77	OLED77W*		0	0	0			
	77	OLED77Z*							
EG	88	OLED88Z*							
	55	55EG9*							
	65	65EG9*							
EC	77	77EG9*							
	55	55EC9*							
EF	65	65EC9*							
	77	77EC9*							
EF	55	55EF9*							
	65	65EF9*							